

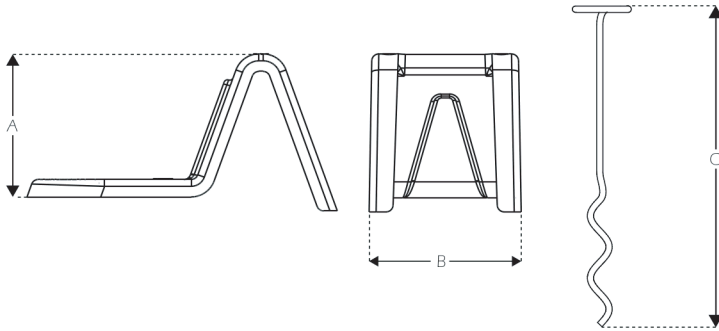
The new CellGrip™ 2 secures and enhances the performance of geocells.

FEATURES / BENEFITS

- Eliminates time & labor associated with carrying, deploying and hammering traditional J-hooks
- Clips into the perforated side walls of the Geocell
- Superior performance when compared to traditional rebar J-hooks, up to 9x the pull out force versus J-hooks
- Quick and easy to install with a standard electric drill – 5x faster installation process
- Can be installed to full depth without damaging the Geocell
- Actively anchors Geocell's against natural and sliding forces, reducing the need for heavy anchoring and trenching



SPECIFICATION



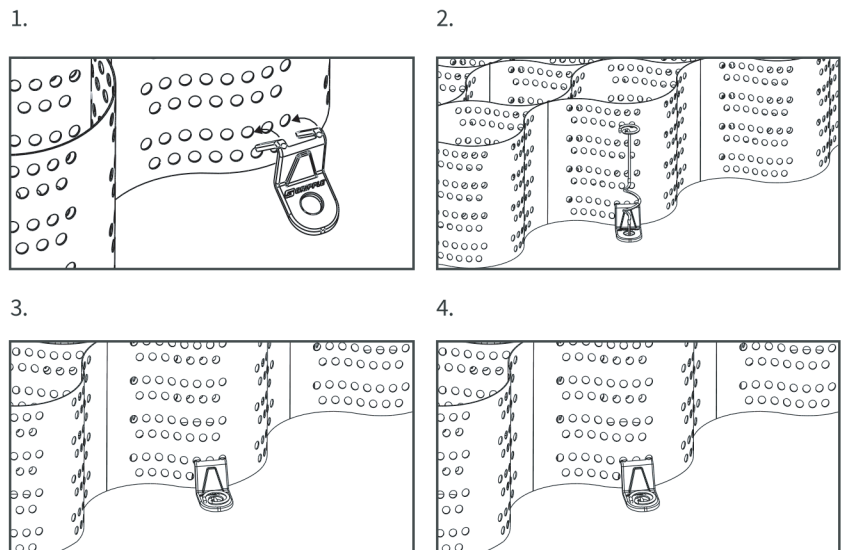
Dimension	Length (mm)
A	40
B	43
C	200

INSTALLATION TOOLS



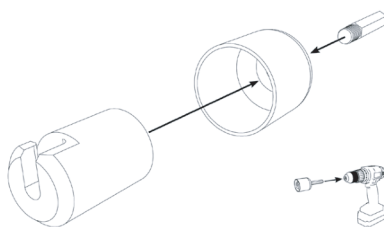
For more information contact us or visit our website - www.gripple.com

INSTALLATION



For more information on how to install the CellGrip 2 visit our Youtube channel - GrippleTV. Alternatively see Installation Guidelines & Procedures.

CHUCK ASSEMBLY



For more information, contact us today or visit our website: www.groundtrax.com

GROUNDTRAX
 Ground Protection and Reinforcement
 Telephone: 03456 800008 | Fax: 03456 800208
 E-Mail: info@groundtrax.com | Website: www.groundtrax.com