

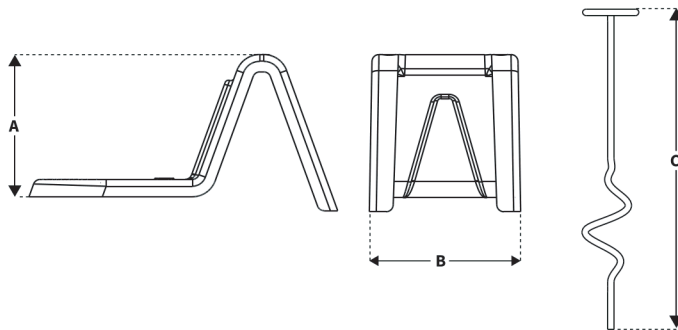
The new CellGrip secures and enhances the performance of geocells.

**FEATURES / BENEFITS**

- Eliminates time & labor associated with carrying, deploying and hammering traditional J-hooks
- Clips into the perforated side walls of the Geocell
- Superior performance when compared to traditional rebar J-hooks, up to 9x the pull out force versus J-hooks
- Quick and easy to install with a standard electric drill – 5x faster installation process
- Can be installed to full depth without damaging the Geocell
- Actively anchors Geocell's against natural and sliding forces, reducing the need for heavy anchoring and trenching.



**SPECIFICATION**



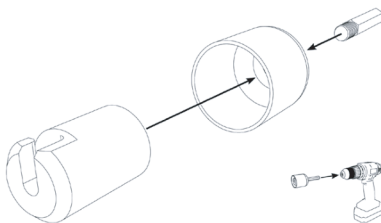
| Dimension | Length (mm) |
|-----------|-------------|
| A         | 40          |
| B         | 43          |
| C         | 202         |

**INSTALLATION TOOLS**

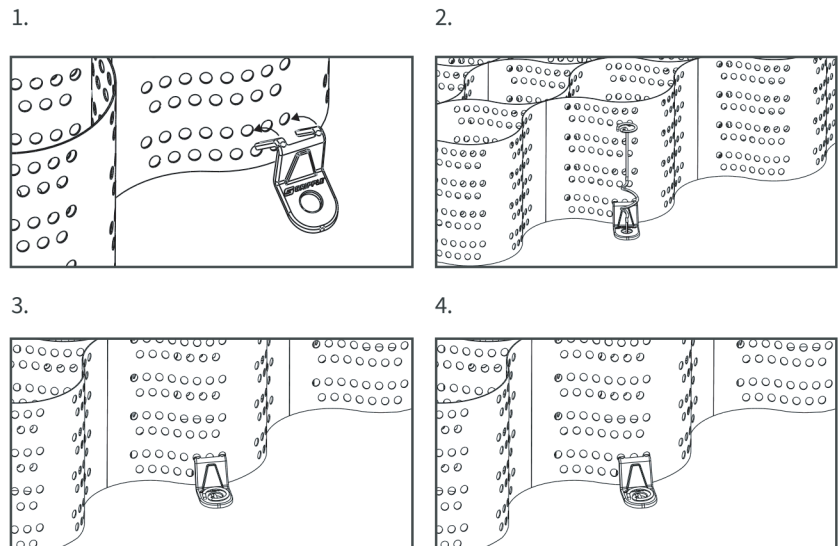


For more information contact us or visit our website - [www.grippl.com](http://www.grippl.com)

**CHUCK ASSEMBLY**



**INSTALLATION**



For more information on how to install the CellGrip visit our Youtube channel - GripplTV. Alternatively see Installation Guidelines & Procedures.



For more information, contact us today or visit our website:

[www.groundtrax.com](http://www.groundtrax.com)

**GROUNDTRAX**  
 Ground Protection and Reinforcement  
 Telephone: 03456 800008 | Fax: 03456 800208  
 E-Mail: [info@groundtrax.com](mailto:info@groundtrax.com) | Website: [www.groundtrax.com](http://www.groundtrax.com)